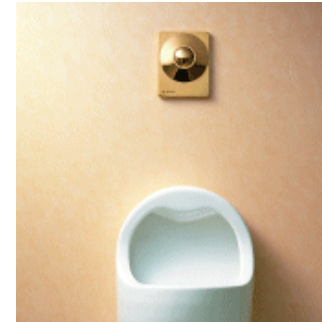


Valve Technology. By SCHELL.



*Welcome to*  **SCHELL**



**Rupin Padia**  
**+91 9820122507**  
**Raja Padia**  
**+91 98927201555**

**Lucky Pipe Fittings Store**  
**Unit No. 10, Ground Floor,**  
**Virwani Indl Estate,**  
**Western Express Highway,**  
**Goregaon (east), Mumbai 400063**  
**Phone No.: 91-22-28712357**  
**TeleFax No.: 91-22-28761620**

# Valve Technology. By SCHELL.



**kiwa**



reddot design award  
winner 2003



reddot design award  
winner 2004



design award  
winner  
2003

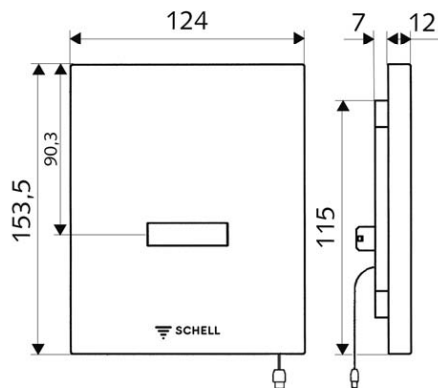


**DESIGN PLUS**  
Sanitär Heizung Klima





**battery operation**



**SCHELL urinal control EDITION**

battery operation 9 V

**Finishing set**

battery-operated, touch-free flushing device

**Comprises:**

- mounting frame with electronic module
- front panel with sensor
- battery compartment in mounting frame
- 9 V alkaline cell
- cartridge solenoid valve with pre-filer
- diagnostic lamps
- diode for battery level, adjustment range

**Use / Technical Data:**

- flushing time: 2-15 s, adjustable
- hygienic flush every 24 h

**Material: front cover out of plastic  
chrome, PU 1 02 806 06 99**

**vandal-proof design**

**Mounting note:**

finishing set for 01 193 00 99, 03 282 00 99 and 03 284 00 99

## SCHELL concealed urinal flush COMPACT II



roughing-in set for mechanical and electronic actuation  
 low noise concealed flush valve with internal isolating valve  
 for  
 installation of the SCHELL urinal actuations and urinal  
 controls.

flush valve conform to DIN EN 12541

### Comprises:

- plastic construction casing with cleaning cover
- pre-assembled water path with isolating valve
- sealing plug
- cleaning cover

### Use / Technical Data:

- flow pressure: 0,8 - 5 bar
- flush volume: 0,3 l/s
- fitting connection G 1/2" (DN 15) external thread

**Material: water path out of brass DIN EN**

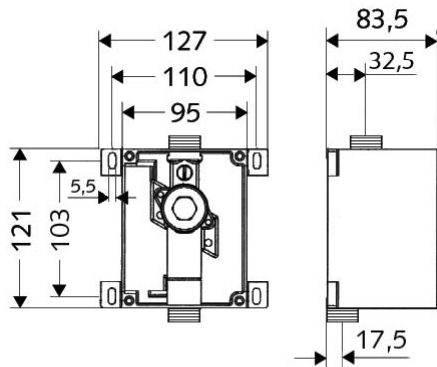
**Noise class: I**

**Test mark: PA-IX 18779/I DVGW with finishing set 02 800 06**

99, 02 800 15 99 and 02 801 28 99

**Connection: G 1/2" ext. thread/ DN 15,**

**PU 1**



01 193 00 99

## SCHELL WC control button EDITION ECO



Design control button for SCHELL WC concealed flush valve COMPACT II

### Finishing set

WC control button COMPACT II for two flush volumes inclusive of self closing cartridge

### Comprises:

- control panel with pushbutton for economy flush and main flush
- mounting rail
- mechanical cartridge with automatic jet cleaning needle

### Use / Technical Data:

- main flush volume adjustable 4,5 to 9 l
- economy button 3 l
- flush volume regulation by means of pressure plate

**Material: front panel out of plastic**

**Chrome**

**02 804 06 99**

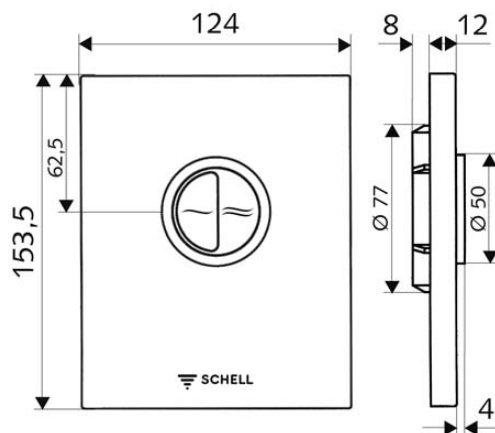
**Alpine White**

**02 804 15 99**

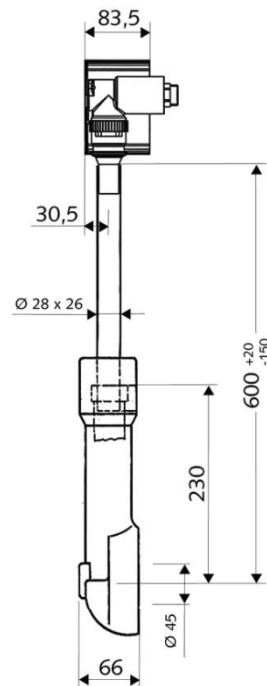
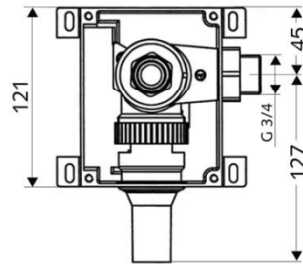
**Material: front panel out of stainless steel**

**Stainless Steel**

**02 805 28 99**



## SCHELL WC concealed flush valve COMPACT II



roughing-in set for mechanical actuation  
 low-noise concealed flush valve with internal isolating valve for  
 all WC control buttons EDITION  
 for flat wash out and wash down bowls  
 flush valve conform to DIN EN 12541

### Comprises:

- plastic shell casing
- pre-assembled water path out of DR brass
- isolating valve/ connection G 3/4" external thread, right
- flow-through plug G 3/4" external thread
- cleaning cover
- height-adjustable flush pipe with construction plug

### Use / Technical Data:

- flow pressure: 1,2 to 5 bar
- flush volume: 1 - 1,3 l/s
- fitting connection: G 3/4" (DN 20), external thread right

**Material:** all parts conducting water out of DR brass

**Noise class:** I

**Test mark:** PA-IX 18844/I

**Connection:** G 3/4" ext. thread,

01 194 00 99

## SCHELL self-closing wash basin tap PETIT SC



High pressure cold and pre-mixed water

Robust single faucet in vandal-resistant all-metal design and with a plastic cartridge

Manual actuation and automatic closing action

### Comprises:

- mounting accessories for single-hole installation

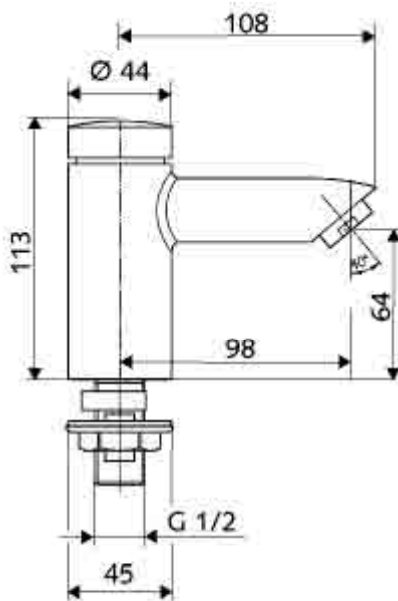
### Use / Technical Data:

- flow volume 6,0 l/min
- flow pressure: 1 to 5 bar
- flow time: approx. 7 s (no flow time adjustment)

**Material: Housing material: brass DIN EN**

**Connection: AG 1/2" Chrome**

**02 122 06 99**



## SCHELL electronic self-closing tap TIPUS P



HP-C (high pressure cold or premixed water)

Electronic self-closing tap with piezoelectric button

Function: start/stop/time limit

Vandal-proof all-metal design

Exact time setting with possible stagnation flush and start/stop function

### Comprises:

- Electronic module and piezoelectric-button integrated in tap cover with battery power level indicator and program for time settings and stagnation flush (permanent flow 20 sec, 24 hr flush)
- Solenoid valve for hidden installation behind the wash basin
- 1 flexible connection hose clean-fix S G 1/2" x 380 mm
- External battery compartment with 9 V alkaline battery
- Flow regulator
- Mounting accessories for wash basin installation

### Use / Technical Data:

- flow volume: 6 l/min at 3 bar flow pressure
- flow pressure: 0,5 bar to 5 bar
- electronic for flow time adjustment: 4 to 120 s

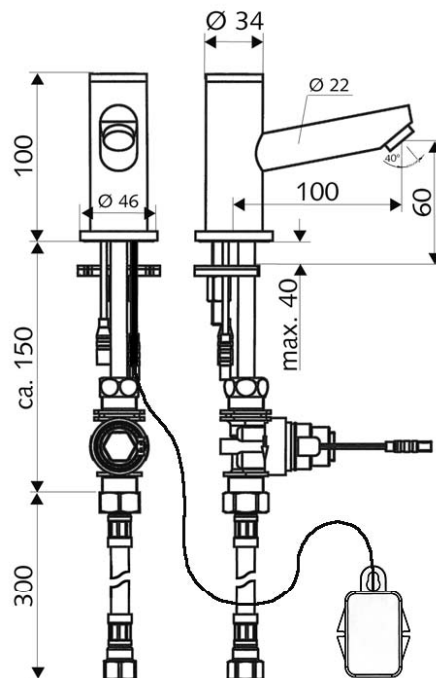
**Material:** tap body out of dezincification-resistant brass

**Noise class:** I in preparation

**Connection:** G 3/8" int. thread,

**Chrome**

**01 236 06 99**





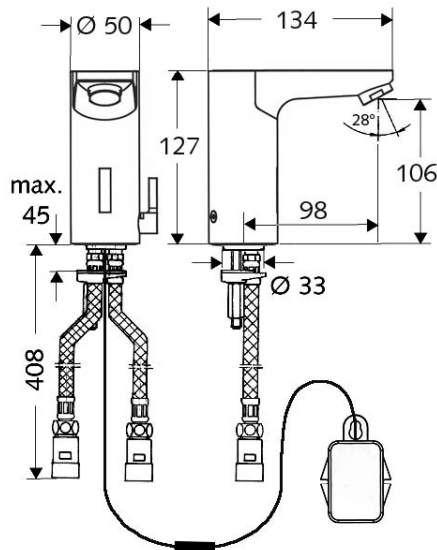
## SCHELL electronic wash basin mixer CELIS E HP-M



High-pressure mixed water - battery operation 9 V  
 Compact infrared sensor mixer with temperature control  
 Single hole tap, vandal-proof all-metal design

### Comprises:

- Electronic module with 4 programs incl. stagnation flush program (permanent flush 20 sec, 24-h flush)
- Cartridge solenoid valve 6 V
- External battery compartment with 9 V alkaline battery
- Connection cable with plug protection category IP 65
- 2 flexible connection hoses clean-fix S G 3/8" x 380 mm
- 2 backflow preventer with prefilter
- Flow regulator
- Mounting accessories for wash basin installation



### Use / Technical Data:

- Flow volume 6 l/min at 3 bar flow pressure
- Flow pressure 0,5 - 5 bar
- Water temperature max. 70°C (short-time-use)

**Material:** body out of dezincification-resistant brass

**Noise class:** I in preparation

**Chrome**

**01 229 06 99**

## SCHELL regulating angle valve COMFORT



### Comprises:

- COMFORT-handle
- with extended push rod, push rosette  $\varnothing$  54 mm

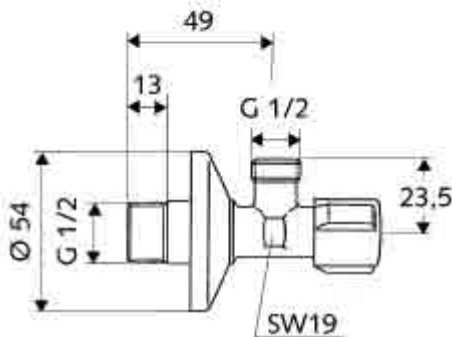
**Material: brass DIN EN**

**Noise class: I**

**Test mark: P-IX 212/IA**

**Connection: 1/2"/DN 15, Outlet: 1/2"/DN 15,  
Chrome**

**05 217 06 99**



## SCHELL regulating angle valve with fine filter and backflow preventer (BP)



### Comprises:

- self-sealing connection thread (**ASAG**)
- mesh gauge: 100 µm
- with extension and push rosette Ø 54 mm
- for fl at seal, without compression connection

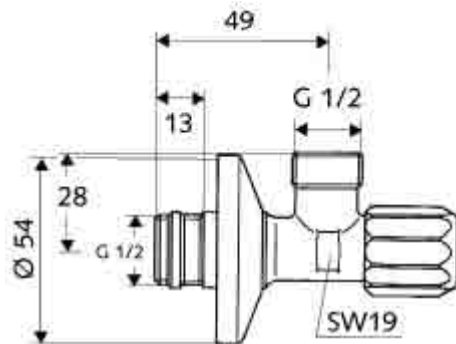
### Use / Technical Data:

- for the protection of electronically controlled fittings

**Material: brass DIN EN**

**Test mark: P-IX 280/IA**

**Connection: 1/2"/DN 15, Outlet: 1/2"/DN 15,  
Chrome**



**05 203 06 99**



**SCHELL single-lever wash basin mixer tap PURIS Line**  
mixed water

High-quality single lever mixer also for professional applications  
all-brass construction for single-hole installation

**Comprises:**

- ceramic cartridge with hot water limiter
- output flow regulator, 7,6 l/min self-regulating
- variably adjustable volume control
- SCHELL connection hose clean-fit, turn-locked 3/8" x 35 cm with 10 mm sleeve
- quick assembly system

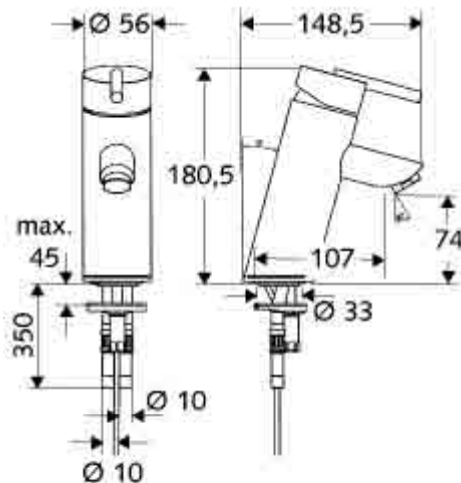
**Use / Technical Data:**

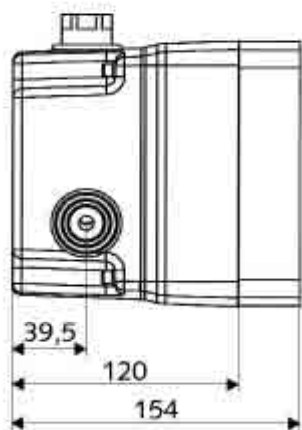
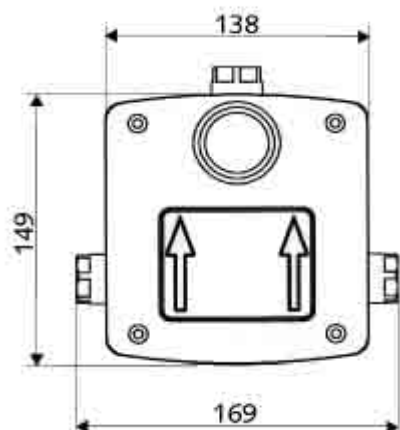
- flow volume: 7,6 l/min
- flow pressure 0,5-8 bar

**Material: Housing material: brass DIN EN**

**chrome, PU 1, W: 2,64 kg/St.**

**02 100 06 99**





## SCHELL built-in wall unit-Masterbox WB-SC-M

function self-closing - mixed water

Built-in wall unit fitting in combination with finishing set for showers, installed into wall mounting box. Fitting connection for wall tap.

### Comprises:

- built-in box, fitting housing
- self-closing cartridge SC-M (mixed water)
- isolation valve, pre-filter, backflow preventer, flow-through connection piece, fastening material and flush mounted cap.

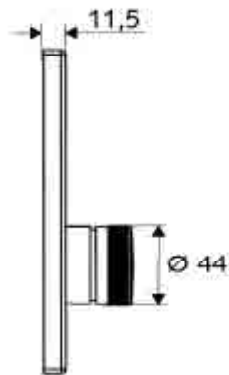
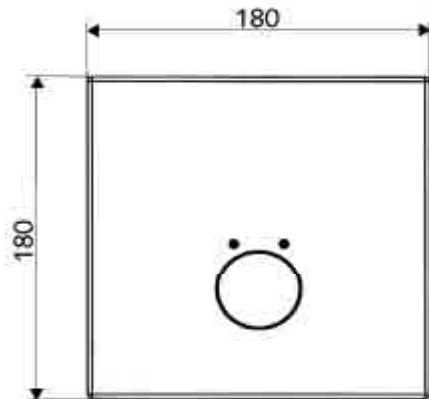
### Use / Technical Data:

- flow rate: 0,15 l/s (TW and TWW)
- flow pressure: 1,5 - 5,0 bar, time setting: 10 - 30 s
- temperature: 5 - 45 °C (70 °C, short time)
- dimensions: 149 x 138 x 120 mm
- installation depth: 80 - 104 mm, water connection 1/2" IG

**Material: material in contact with water: de-zincing-proof brass**

**Noise class: I**

**01 867 00 99**



**SCHELL built-in wall unit shower LINUS D-SC-M**

function: self-closing - mixed water

self-closing - shower fitting - finishing set for built-in wall unit  
Masterbox WB-SC-M

**Comprises:**

- front cover
- assembly frame with fastening material
- self locking knob SC-M with push rod

**Material: front cover made of stainless steel, knob and spout**

are brass, chrome-plated

**front cover chrome, PU**

**1 01 832 06 99**

**front cover stainless steel, PU**

**1 01 832 28 99**